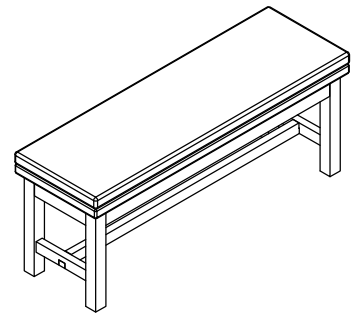


Warning :

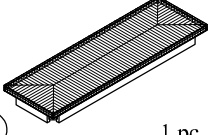
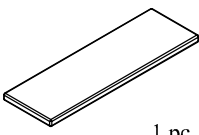


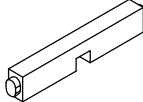
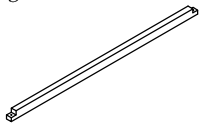

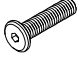


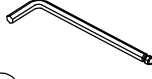


- Be sure to check all packing material carefully for small parts, which may have come loose inside the carton during shipment.
- To prevent possible scratches and damage, this furniture **MUST BE ASSEMBLED BY TWO PEOPLE** on a soft surface such as a blanket or carpet.



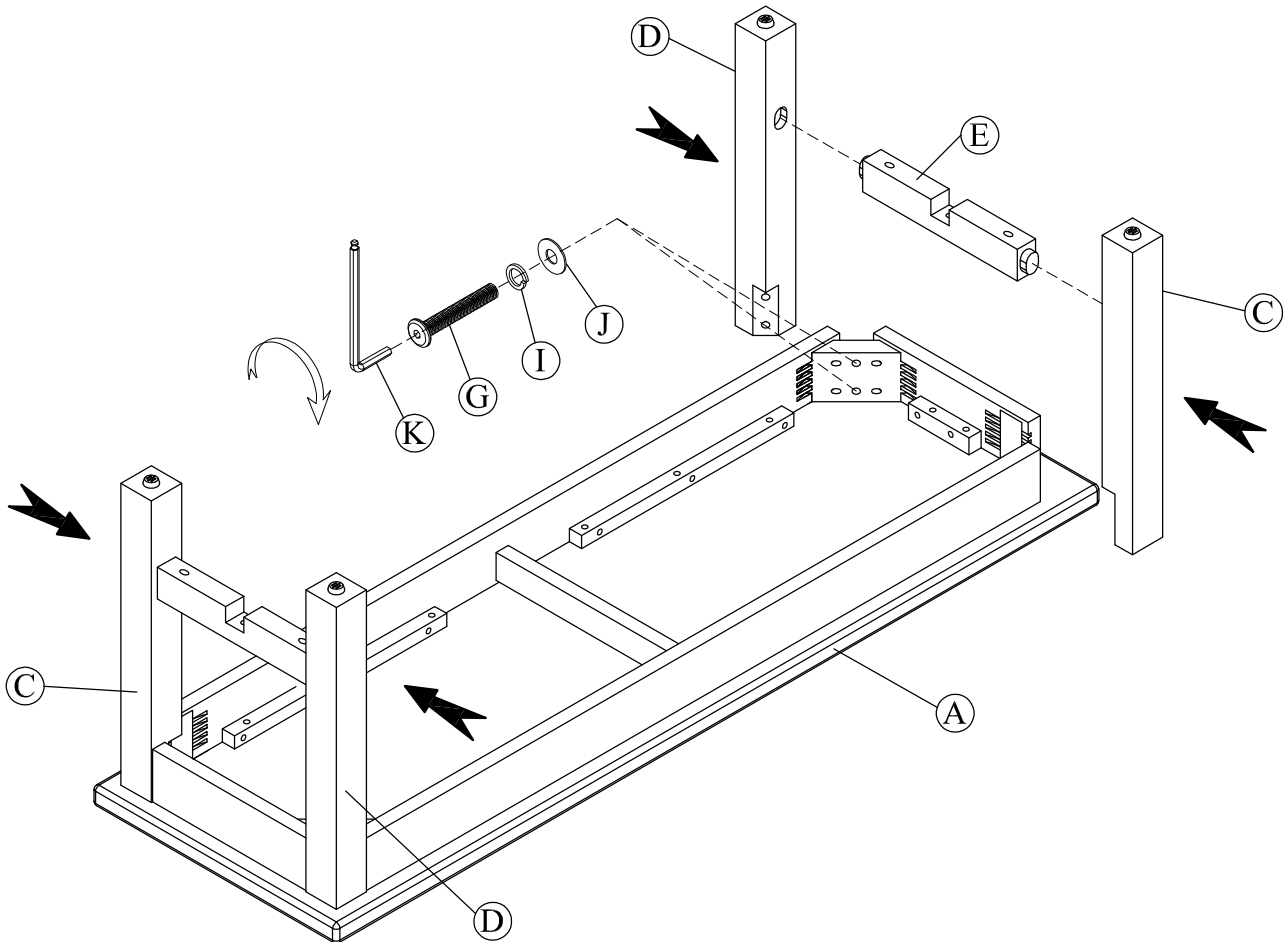
30724

50" Dining Bench

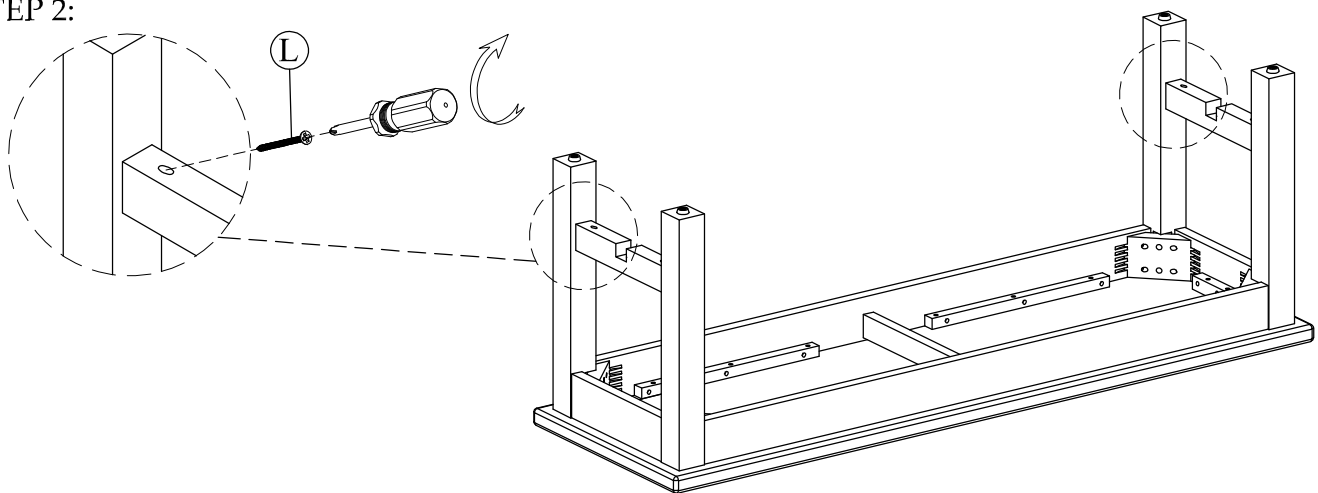
Components and Hardware List

<p>Top Bench</p>  <p>1 pc.</p>	<p>Cushion Seat</p>  <p>1 pc.</p>	<p>Leg (Left)</p>  <p>2 pcs.</p>	<p>Leg (Right)</p>  <p>2 pcs.</p>	<p>Short Stretcher</p>  <p>2 pcs.</p>	<p>Long Stretcher</p>  <p>1 pc.</p>	
<p>Allen Head Bolt M8-32 x 55mm</p>  <p>8 pcs.</p>	<p>Allen Head Bolt M6-32 x 35mm</p>  <p>2 pcs.</p>	<p>Lock Washer Ø9 x Ø13mm</p>  <p>10 pcs.</p>	<p>Flat Washer Ø8 x Ø20mm</p>  <p>10 pcs.</p>	<p>Allen Key 4 x 110mm</p>  <p>1 pc.</p>	<p>Wood Screw Ø4 x 50mm</p>  <p>4 pcs.</p>	<p>Tool Required (not provided) Phillips Screwdriver</p> 

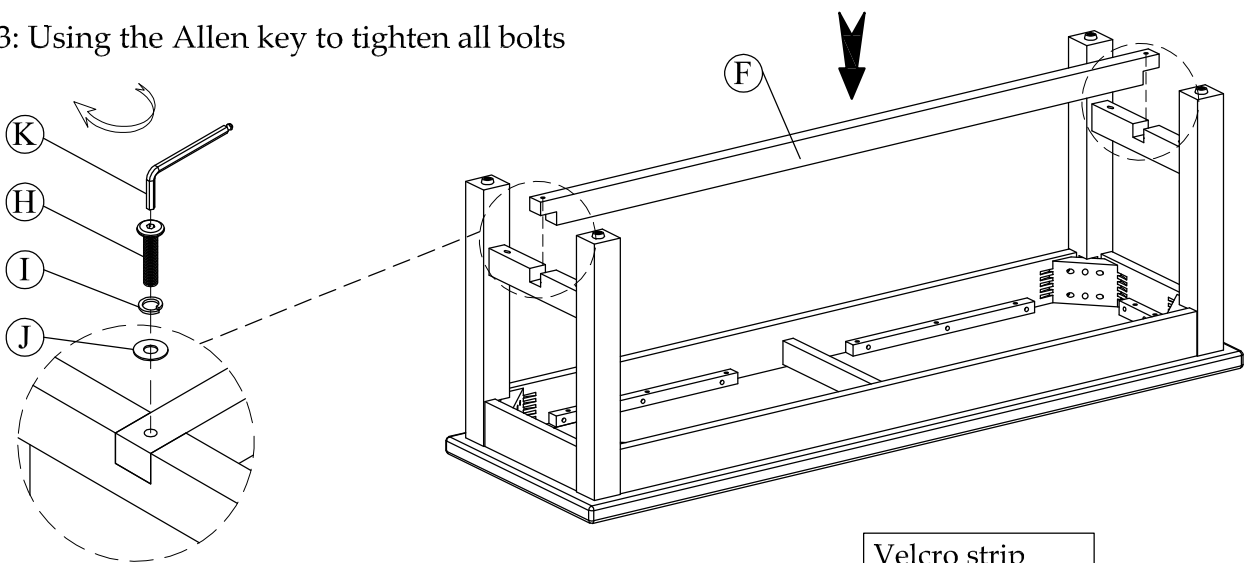
STEP 1: Do not fully tighten the bolts



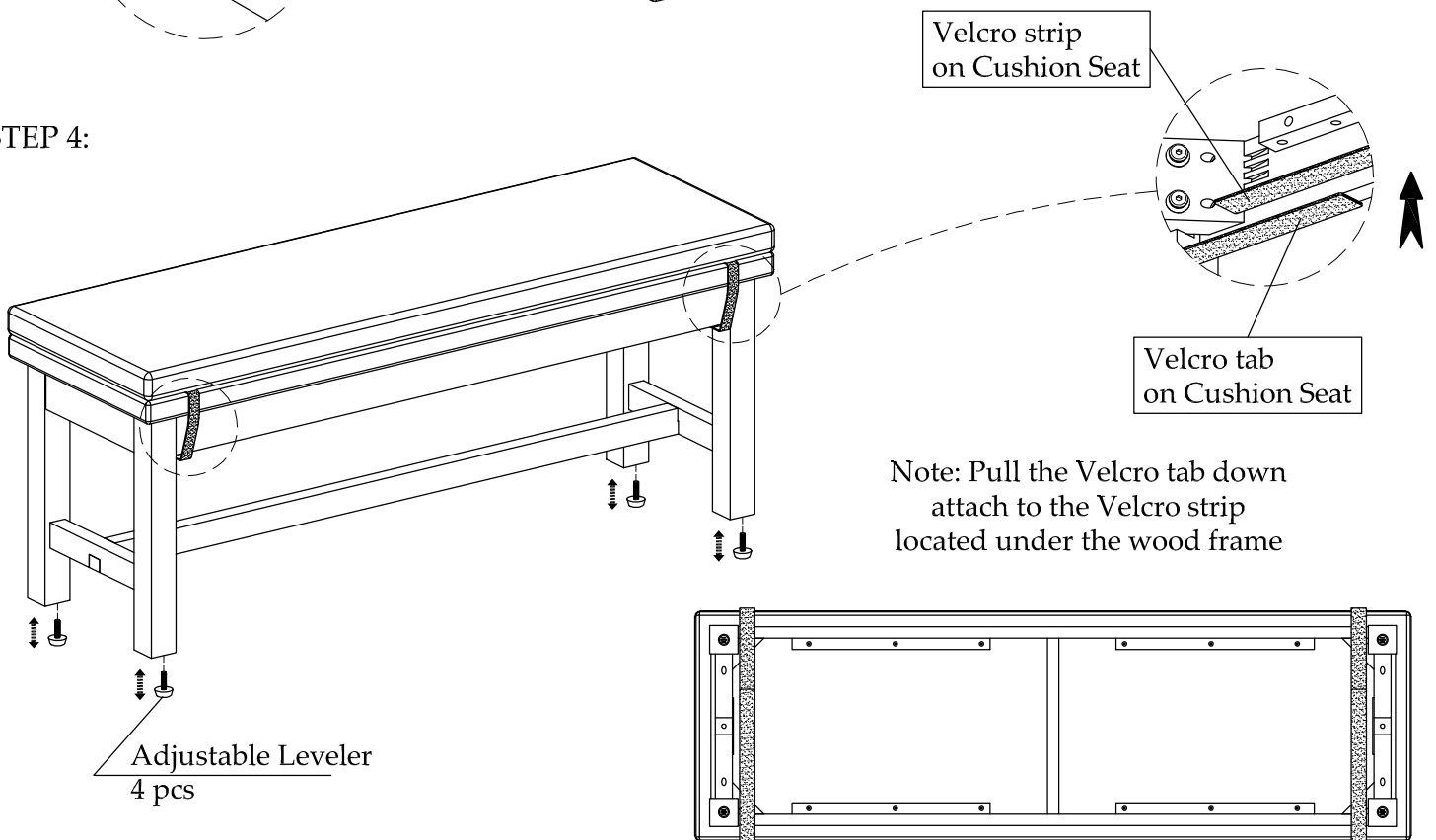
STEP 2:



STEP 3: Using the Allen key to tighten all bolts



STEP 4:



Bottom View